



14a/16-20 Hereward Street MAROUBRA, NSW



1



1



1

## Spacious 1 Bedroom beachside with spectacular views

### DEPOSIT TAKEN

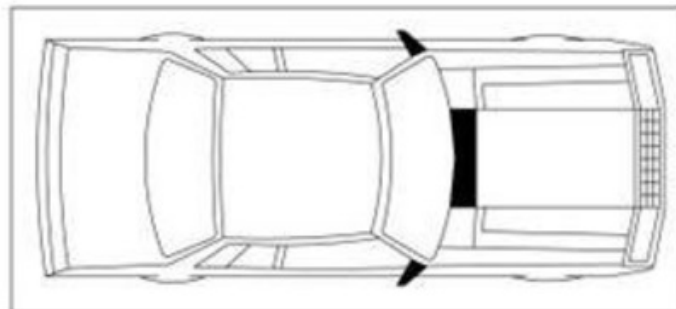
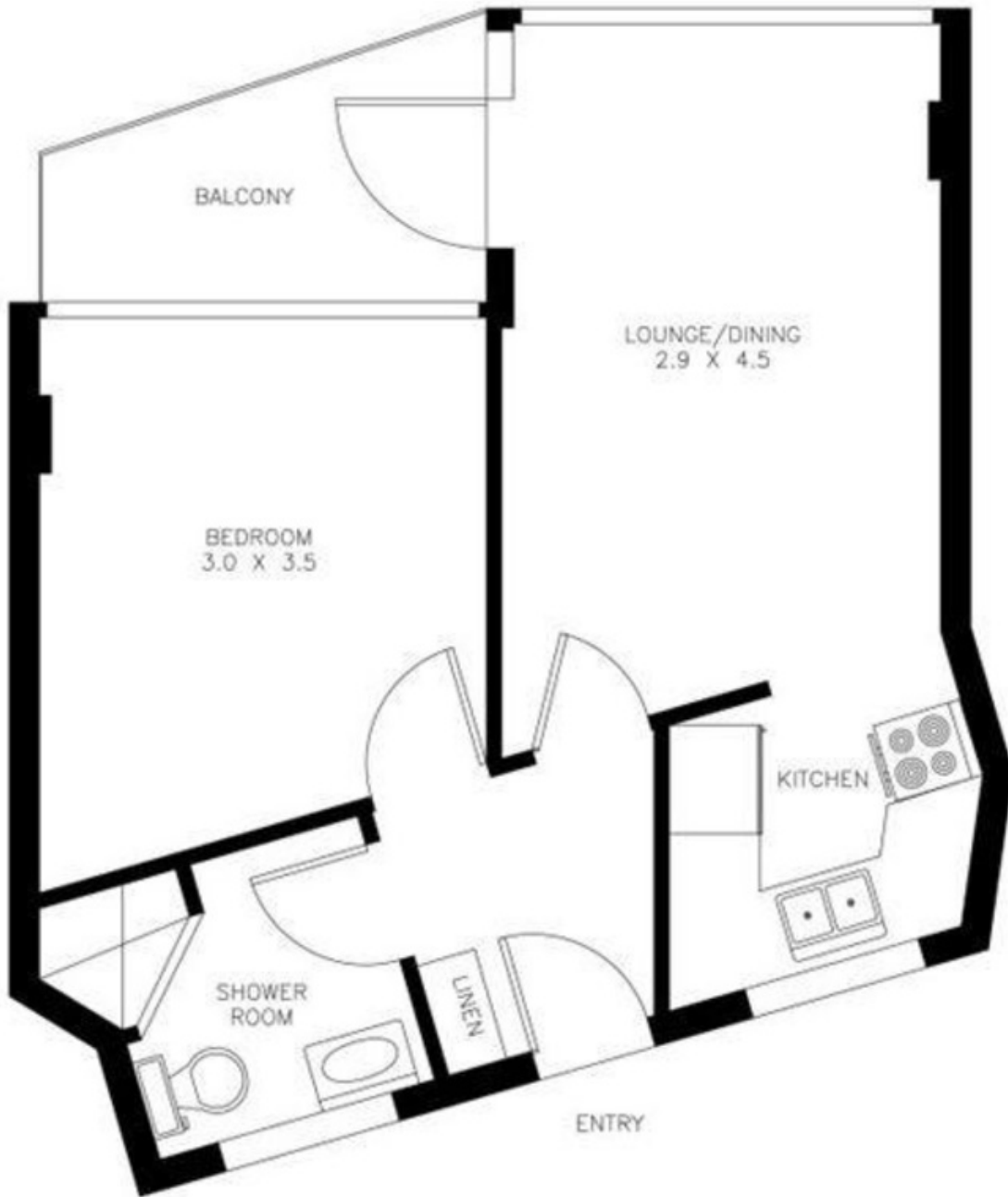
Peacefully positioned on the 3rd floor in a security complex and located literally metres from beautiful Maroubra beach, this well presented apartment offers a quality beach lifestyle.

- One bedroom with built in robe
- Light filled living area opens to gorgeous balcony with views
- Modern New kitchen and neat bathroom
- Combined lounge and dining
- Stunning breath taking ocean and district views
- Laundry facilities, lift access
- Easy access car space
- 3rd Floor of secure complex

**Lindy Klein**

0412 839 300

14A/16-20 Hereward Street, MAROUBRA



UNDERCOVER CARSPACE

14a/16-20 Hereward Street

MAROUBRA, NSW

